

# Dechlorinator 1060

## System Components

Media Vessel (Qty.) Size .....	(1) 8" x 40"
Media Vessel Construction .....	Wrapped Polyethylene
Empty Bed Volume .....	1.04 ft <sup>3</sup>
Media .....	8 x 16 Mesh Acid Washed Activated Carbon Media
Media Volume .....	0.75 ft <sup>3</sup> (25 lbs.)
Bed Depth .....	24"
Free Board .....	16"
Riser Tube .....	1" ABS
Under bedding .....	None
Service Flow .....	Upflow

## Inlet Water Quality

Pressure Range .....	15 – 125 psi Dynamic Pressure
Temperature Range .....	35 – 120° F
pH Range .....	5 – 10 SU
Free Chlorine Cl <sub>2</sub> (Max.) .....	4.0 mg/L

## Operating Specs

Service Flow .....	11.0 gpm
Dimensions (Width x Depth x Height) .....	8" x 8" x 40"
Weight (Operating / Shipping) .....	200 / 60 lbs.

## Connections

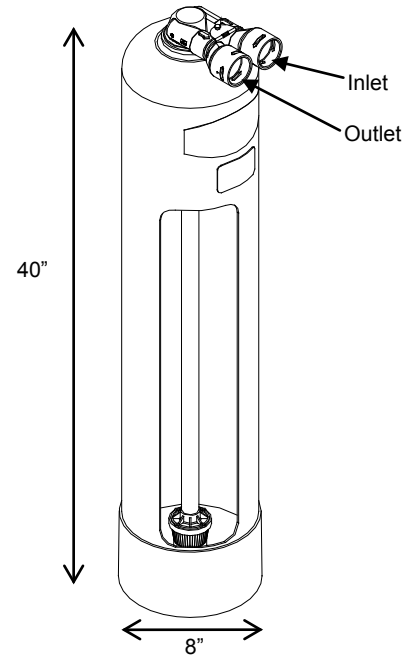
Inlet / Outlet Connections ..	1.25" Kinetico Custom Adapter and Bracket
Power .....	None

## System Part Numbers

Dechlorinator 1060 .....	11381A
--------------------------	--------

## Estimated Carbon Effectiveness

Inlet Free Cl <sub>2</sub>	Gallons	Time
0.25 mg/L	450,000	36 months
0.5 mg/L	285,000	24 months
1.0 mg/L	185,000	18 months
1.5 mg/L	120,000	15 months
2.0 mg/L	75,000	12 months
3.0 mg/L	37,500	6 months
4.0 mg/L	18,750	3 months



## Operating Profile

System shall remove free chlorine to less than 0.05 mg/L when operated in accordance with the operating instructions. The system shall include one tank. This simplex system is designed to operate in an upflow mode. This configuration allows the unit to run in service without the need for a backwash cycle.

## Media Tanks

The tanks shall be designed for a maximum working pressure of 125 psi and hydrostatically tested at 300 psi. Tanks shall be made of polyethylene and reinforced with a fiberglass wrapping. Each tank shall include a 2.5 inch threaded top opening. Each tank shall be NSF approved. Upper and lower distribution system shall be of a slot design. Distributors will provide even flow of water.

## Media

Each system shall include an activated, acid washed carbon. The media shall be between 8 and 16 Mesh in particle size.