

Royal Soda

Instruction Manual



Please read this manual carefully before using.

Content

1.To Our Customers	1
2.Packing List	2
3.General Information	2
4.How to Install	5
5.How to Use	7
6.Trouble Shooting	12
7.Light Indicator	13

1.To Our Customers

(1). This is a vertical water dispenser, please place it on the ground firmly to avoid falling.

(2). Operation conditions:

Water source: municipal tap water

Feed water pressure: 0.1MPa ~ 0.4MPa

Feed water temperature: 5-38°C

Altitude: <1500meter

(3). Check the product from time to time to see if there is any leakage on the connections or any creepage on the wires. If the product fails, please cut off the water main and power supply immediately, and contact your dealer.

(4).If this product won't be used for a long time, shut off the water supply and power off. If it hasn't been used for more than 3 days, drain off all the remaining water in tanks and flush the system for more than 5 minutes before putting it into use again.

(5).This product is strictly forbidden to be operated by children and is designed for indoor use only. Do not use it in an explosive environment.

(6). Every machine will be going through a water leakage test before packing. It is normal to have residual water stains.

(7).Installation and maintenance should be performed by a professional. It's necessary to follow this instruction manual strictly, otherwise our company will not be responsible for any failure or consequence.

2.Packing List

Main Body	1 Set	Accessory Kit	1 Bag
PP Spun Filter	1 Piece	RO tube	3 Rolls
Block Carbon Filter	1 Piece	Instruction Manual	1 Piece
RO Membrane/UF Membrane	1 Piece	Power Adapter	1 Piece
Post Carbon Filter	1 Piece		

3.General Information

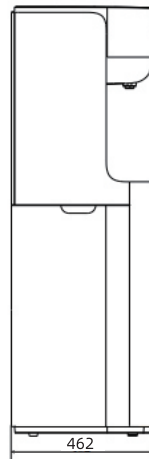
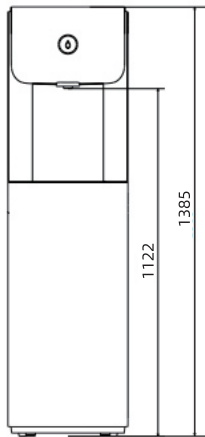
(1) Technical Parameters

Model Number	H04 (RO)/ H04 (bottle)/H04 (UF)
Feed Water	Municipal tap water
Inlet Water Pressure	0.1MPa ~ 0.4MPa
Voltage and Frequency	110/220V, 50/60HZ
Rated Power	665W
Heating Power	500W
Cooling Power	150W
Water Production Power	15W
Inlet Water Temperature	5 ~ 38°C
Purified Water Flow	0.4L/min(RO) / 2L/min (UF)

(2). Recommended installation places: office, club, hotel, airport, train station, etc.

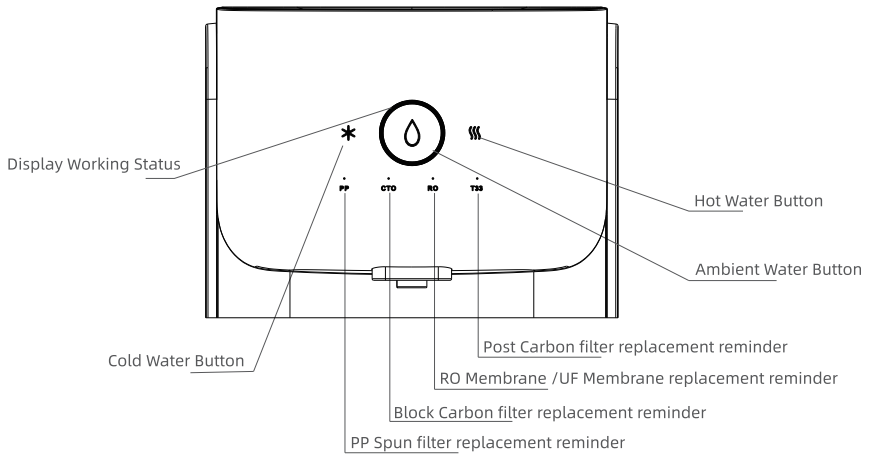
(3). Function: Water dispenser with hot, cold and ambient water

(4). Product dimension: 387(Width)*462(Depth)*1385(Height)mm

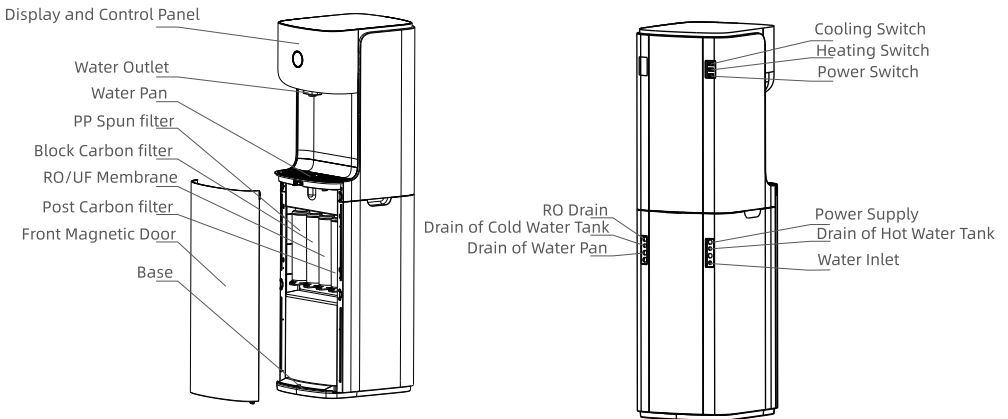


(5.) Filters and Their Function

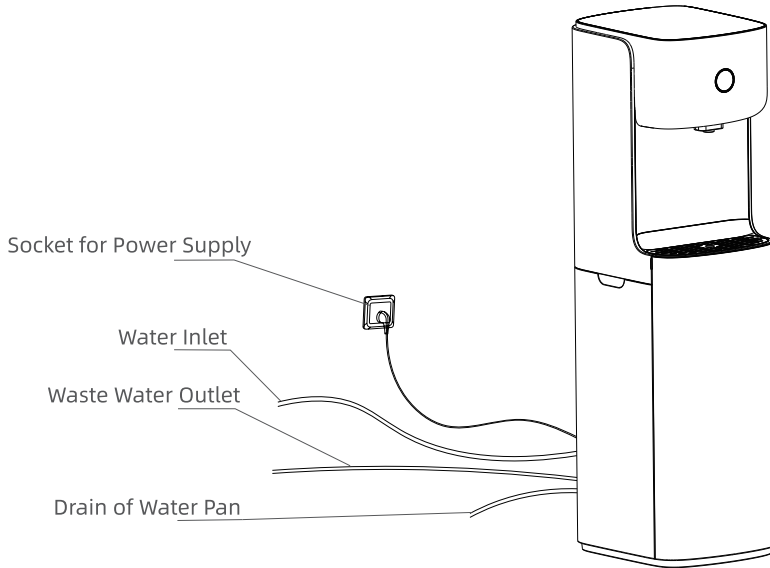
Filter Cartridges		Function
1st Stage	PP Spun Filter	Removes large suspended particles in water
2nd Stage	Block Carbon Filter	Further removes organics, chlorine, odor, color and turbidity
3rd Stage	RO Membrane	Removes bacteria, heavy metals, dissolved matters and salinity
	UF Membrane	Removes suspended particles, turbidity, bacteria and other harmful substances.
4th Stage	Post Carbon Filter	Adjusts the taste of purified water
5th Stage	LED UV	Treats bacteria
Temperature Option		Ambient/Hot/Cold



(7). Structure Instruction



4. How to Install



Installation Procedures

(1). Tools Required:

Cross screw driver

Adjustable wrench

Scissors

(2). Please check if the accessories are complete as Packing List mentioned.

(3). Installation Position Required:

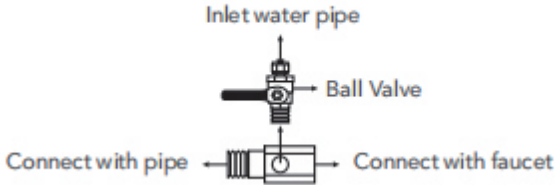
Close to 220V/110V socket

Close to municipal tap water source

Close to drain outlet, please note that the position of drain pipes should be at least 20cm lower than water pan, please refer to (7) of 3.

(4). Installation for Inlet Ball Valve and Tee Fitting.

- Install Tee Fitting and Feed Water Valve as per diagram below.
- Wrap threads of Feed Water Valve and Tee Fitting with Teflon tape.
- Connect White Feed Water tube from unit to Feed Water Valve.
- Install the Feed water valve Tee fitting, and then connect to source water.



(5). Cut RO tube flatly to appropriate length and prepare 2 pieces. Connect ball valve to water inlet port with one piece, and connect the drain to the waste water port with the other piece. Connect the silicon tube to the drain of the water pan or a bucket.

(6). Take off the front panel, install filter cartridges to water purifier according to the labels indicated above. After filters are installed, cover the front panel.

(7). First Use Instruction

- Open Inlet Ball Valve, connect power supply and power on, the machine will start producing water. During this period, the switch for heating should be off.
- After the machine completes water production (White light around the big button in the middle), cut off the power supply. Connect the silicon tube to "drain of hot water tank" and the other end to drain of the house or a bucket to drain out all the water in the tank.
- Power on again and make the machine to produce water and then drain out all the water in the tank after water production is completed. Repeat this process for 2 to 3 times to flush the machine. During this process, pay attention to all connections to see if there is any leakage.
- After flushing, take off the silicon tube and pack it up. Block the "drain of hot water tank".

5. How to Use

(1). Service Life of Filter Cartridges and Filter Change Reminder

RO System

Light indicator for PP sediment (1st stage)	Total service life: 270 Hours	
	Remaining life span > 45Hours	Light off
	Remaining life span ≤ 45Hours	Flashing
	Filter life ends	Red light on
Light indicator for block carbon filter (2nd stage)	Total service life: 270 Hours	
	Remaining life span > 45Hours	Light off
	Remaining life span ≤ 45Hours	Flashing
	Filter life ends	Red light on
Light indicator for RO membrane (3rd stage)	Total service life: 540 Hours	
	Remaining life span > 90Hours	Light off
	Remaining life span ≤ 90Hours	Flashing
	Filter life ends	Red light on
Light indicator for T33 post carbon (4th stage)	Total service life: 270 Hours	
	Remaining life span > 45Hours	Light off
	Remaining life span ≤ 45Hours	Flashing
	Filter life ends	Red light on

The service life above is calculated when the machine is in the process of pure water production.

UF System

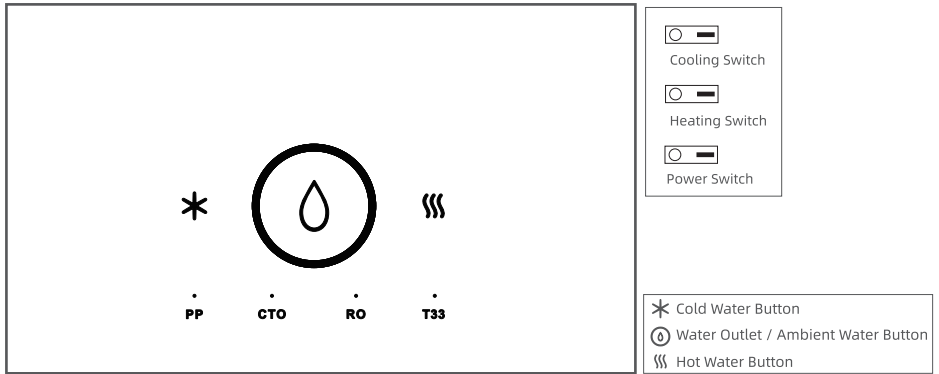
Light indicator for PP sediment (1st stage)	Total service life: 90 Days	
	Remaining life span > 15Days	Light off
	Remaining life span ≤ 15 Days	Flashing
	Filter life ends	Red light on
Light indicator for block carbon filter (2nd stage)	Total service life: 180 Days	
	Remaining life span > 30 Days	Light off
	Remaining life span ≤ 30 Days	Flashing
	Filter life ends	Red light on
Light indicator for UF membrane (3rd stage)	Total service life: 180 Days	
	Remaining life span > 30 Days	Light off
	Remaining life span ≤ 30 Days	Flashing
	Filter life ends	Red light on
Light indicator for T33 post carbon (4th stage)	Total service life: 180 Days	
	Remaining life span > 30 Days	Light off
	Remaining life span ≤ 30 Days	Flashing
	Filter life ends	Red light on

(2). Filter Life Reset

Press both “PP” and “T33” symbols together by 2 thumbs and you will hear the machine beeps once. Keep pressing these 2 symbols for over 3 seconds until the machine beeps 3 times which means it has entered the reset mode successfully.

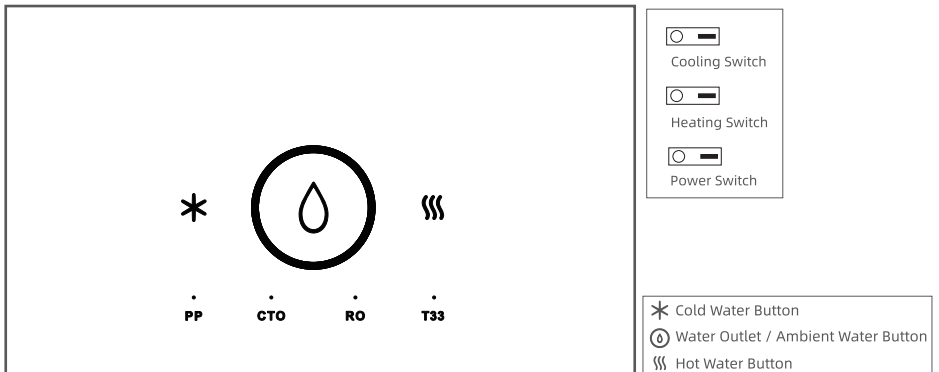
Press the corresponding light indicator and hold for 3 seconds or more. The sound "deng deng deng" means filter life reset is completed.

(3). How to Get Hot Water



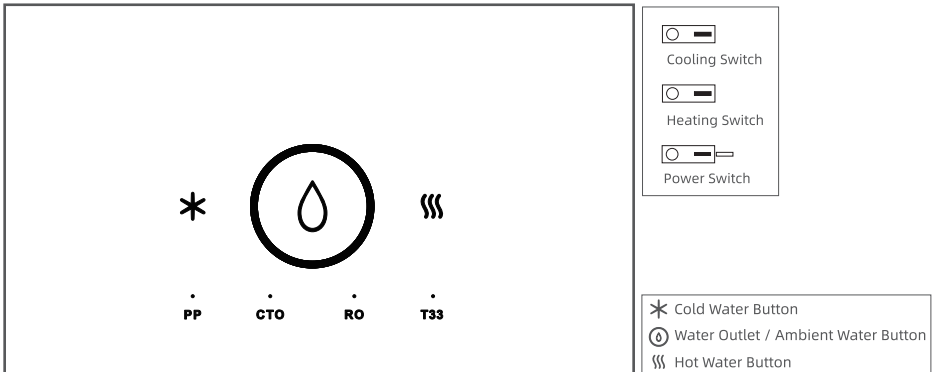
- Heating switch on (switch position will be from "O" to "-."), the machine will start heating.
- Press hot water button ☺ on control panel, then you will hear a sound "Ding", the hot water status is released and will last for 3 seconds.
- Press the "water Outlet/Ambient Water button" ⓪ within 3 seconds and you will get hot water (there will be red circling light around "water outlet" button ⓪).
- Press the "water Outlet/Ambient Water button ⓪ " again to end the hot water output. The machine will conduct a 30-second hot water output if it's not ended manually.

(4). How to Get Ambient Water



- Press Water Outlet / Ambient Water Button ⑤ on control panel, and you will get ambient water (there will be green circling light around “water outlet” button ⑤).
- Press the “water Outlet/Ambient Water button” ⑤ again to end the ambient water output. The machine will conduct a 30-second ambient water output if it’s not ended manually.

(5). How to Get Cold Water



- Cooling switch on (switch position will be from "O" to "-"), the machine will start cooling.
- Press press cold water button on * control panel, then you will hear a sound "Ding," the cold water status is released and will last for 3 seconds.
- Press the "water Outlet/Ambient Water button" ⑤ within 3 seconds and you will get cold water (there will be blue circling light around "water outlet" button ⑤).
- Press the "water Outlet/Ambient Water button" ⑤ again to end the cold water output. The machine will conduct a 30-second cold water output if it’s not ended manually.

(6). How to Flush

- The machine will conduct a 90-second flush every time it’s power on.
- After the water production time reaches one hour, the machine will conduct a 10-second flush process.

(7). Memory

Even though the machine is power off, it will still record all data automatically, such as service life of filter, remaining life of LED UV sterilizer, mode of the machine, etc.

(8). LED UV Sterilizer

Brand new machine:

after water production completes for the first time, the LED UV will work for 150 minutes. This process can not be interrupted.

During daily use:

If there is no water production, the LED UV will conduct a 30-second sterilizer every hour. The LED UV will conduct a 50-minute sterilizer every time after the machine completes water production.

(9). Power Saving Mode

If no any manual operation within 30 minutes, the machine will enter the Power Saving Mode. This mode only weakens the brightness of the light, it does not affect any other functions of the machine.

6. Trouble Shooting

Problem	Cause	Correction
All light indicators off	1.Power Supply Cord is not connected to power	1.Connect Power Supply Cord to socket
	2.Power Switch is off	2.Turn on Power Switch
	3.Circuit failure	3.Make sure that all wires are good and connected well
	4.Defective adapter	4.Contact your local dealer for a new adapter
Pink flashing light around "Water Outlet" button	1.Water inlet is off	1.Make sure all inlet valves are on
	2.Low feed water pressure	2.Increase feed water pressure
	3.Defective low pressure switch	3.Contact your local dealer for a new low pressure switch
	4.Defective electric control board	4.Contact your local dealer for a new electric control board
The machine is in water production mode but no water output	1.Filter cartridge blocked or not installed correctly	1.Replace the filters or install them correctly
	2.Defective input solenoid valve	2.Contact your local dealer for a new solenoid valve
	3.Floated switch damaged or blocked	3.Contact your local dealer for a new float switch or adjust its position
Machines does not heat	1.The machine started heating when hot water tank is empty, thus it shuts off the heating function for protection.	1.Reset the temperature switch
	2.Circuit failure	2.Check and repair circuit
	3.Defective Hot water tank	3.Contact your local dealer for a new hot water tank
	4.Defective electric control board	4.Contact your local dealer for a new electric controller

7.Light Indicator

Light Color	Light State	Machine Status	Remarks
Green	Circling	Ambient Water Output	In the process of Ambient Water Output
Red	Circling	Hot Water Output	In the process of Hot Water Output
Blue	Circling	Cold Water Output	In the process of Cold Water Output
Red	On without circling	Defective LED UV	LED UV damaged or not connected properly
White	On without circling	In Standby Mode	Normal
Red	Circling	In Heating Process	In Heating Process
Pink	Flashing	Water Lack	No feed water
Red	Flashing	Low feed water pressure water production process is interrupted	Low pressure switch disconnected
Yellow	Flashing	High feed water pressure, water production process is interrupted	High pressure switch disconnected



www.aqualifeusa.com