

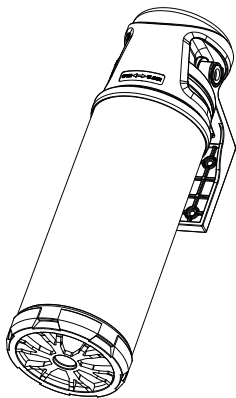
# **INSTRUCTION BOOK**



# Preface

In order to use the water purifier product correctly, please read this manual carefully and keep it for reference before installation and use.

Due to failure to comply with the precautions specified in the instructions, any failures and losses caused are not covered by the manufacturer's warranty, and the manufacturer does not bear any related responsibility.



## Introduction

The moisturizing series water purifier is mainly used to intercept particles and impurities, sediment, rust, floating matter, residual chlorine, abnormal color and smell, scale removal, in the water. To wash and brush your teeth and wash your face, the water quality is silky and does not hurt the skin. Guard your beauty of prosperity!

## Characteristics

- Super large amount of water, food-grade body made of PP
- Integrated filter element technology can effectively remove all kinds of impurities intercepted and realize non-disassembly and washing.
- The core components are specially made of imported materials, with strong compression resistance, safety and reliability.
- Multiple filter, PP+AC integrated filter element
- Using Quick-Twist fast technology, one turn and one step in place, the maintenance is more comfortable, and the core change is more convenient.
- Claw quick insertion interface, simple, convenient, safe and reliable installation.

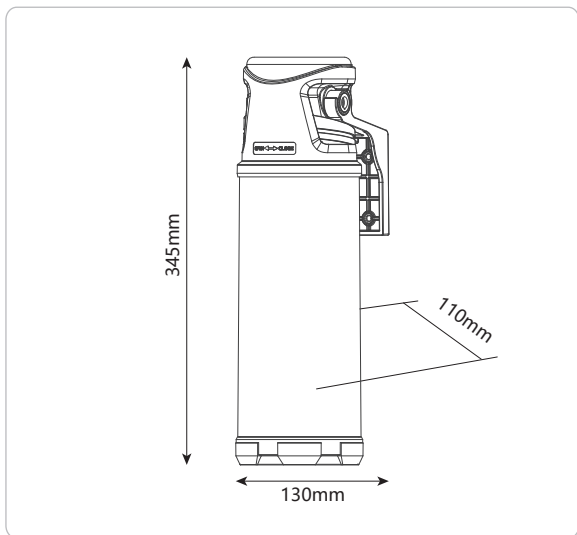
## Important points

- Installation, debugging and maintenance must be carried out by professionals
- This series of products can only be installed in an indoor dry environment to avoid being close to the heat source.
- This series of products are only suitable for municipal tap water at 5-45 °C.
- When installing, please pay attention to whether the flow direction marked on the valve body is consistent with the flow direction of the pipe.
- Depending on the water quality in different places, the filter element needs to be replaced regularly.
- Our company provides complete and reliable products, and we are not responsible for the replacement, installation and setting of debugging parts without the approval of our company, resulting in machine damage or personal injury, property, environment and other losses. If you have any questions about this product, please contact us immediately.

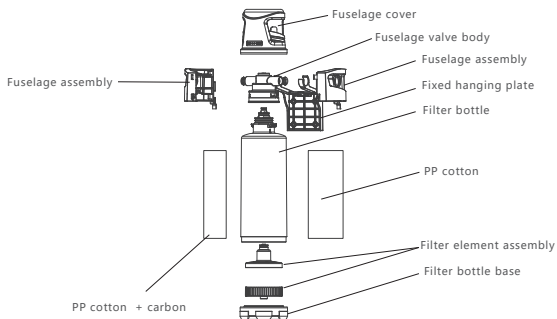
## Introduction

model number	M8-1
Clean water flow	400L/H
Joint size	3/8" or 1/2"
Applicable water pressure	0.1MPa-0.4MPa
Applicable water quality	Municipal tap water
Suitable temperature	5°C- 45°C
Filter precision	0.5µm

## Dimensions



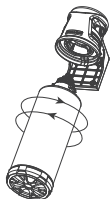
## Parts name



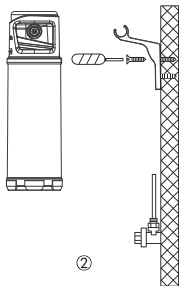
(the structural decomposition diagram is for reference only. If it is inconsistent with the physical object, please take the physical object as the case.)

## Product installation

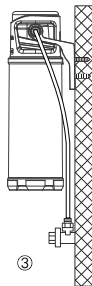
- ① The filter bottle is in place by twisting and twisting.
- ② The hanging plate is fixed with 4 screws.
- ③ Hang up the product and insert a 3-minute thread braided pipe to connect the tap water to the faucet.
- ④ During installation, please pay attention to whether the flow direction marked on the valve body is consistent with that of the pipeline.
- ⑤ This series of products must be kept vertical after installation.



①



②



③

④

